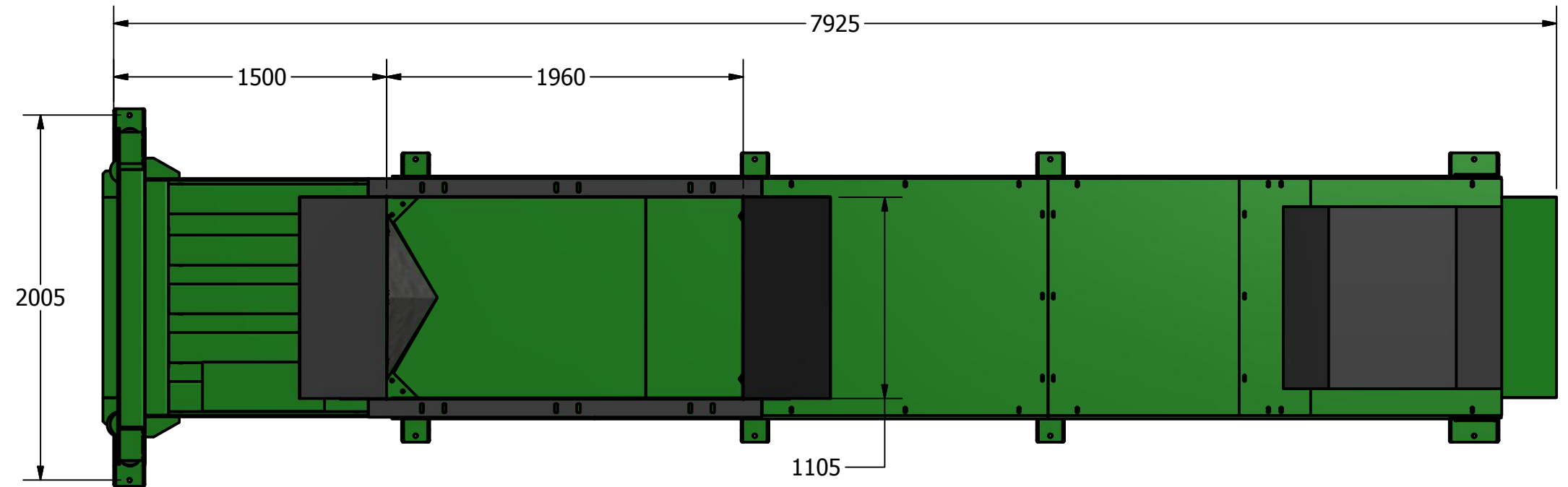
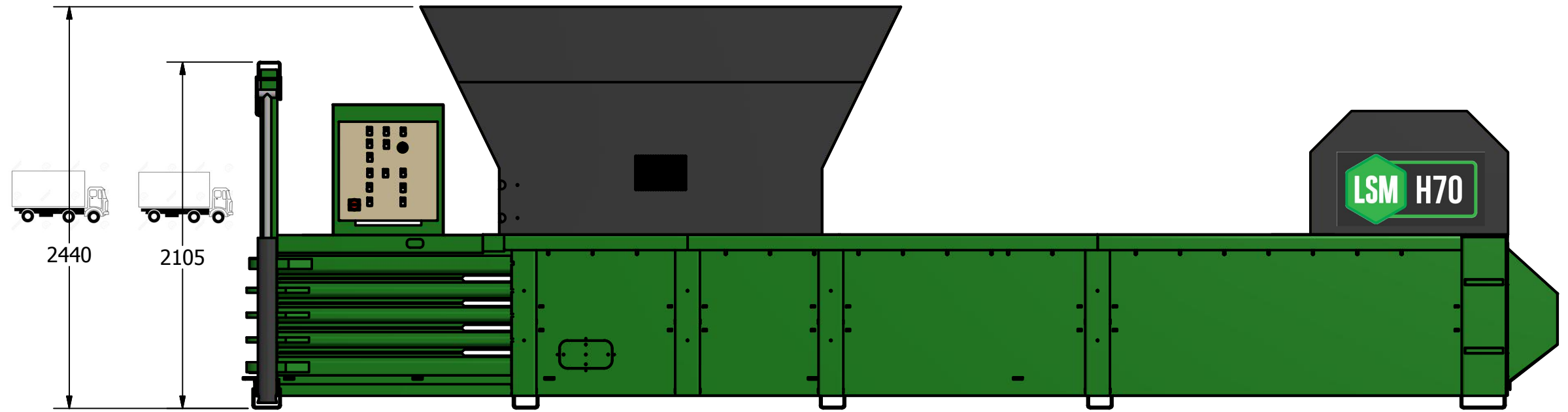
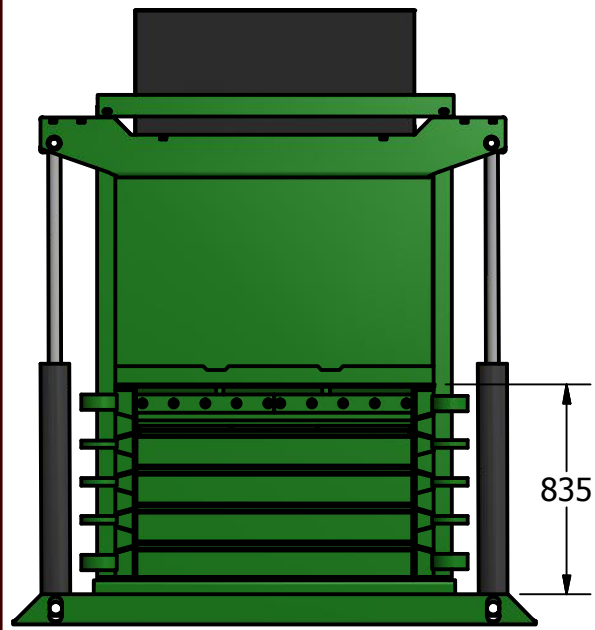
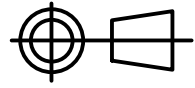


THIRD ANGLE PROJECTION



 WWW.LSMLTD.COM	
MODEL CODE	H70
MACHINE WEIGHT	
NOISE LEVEL	80 dB